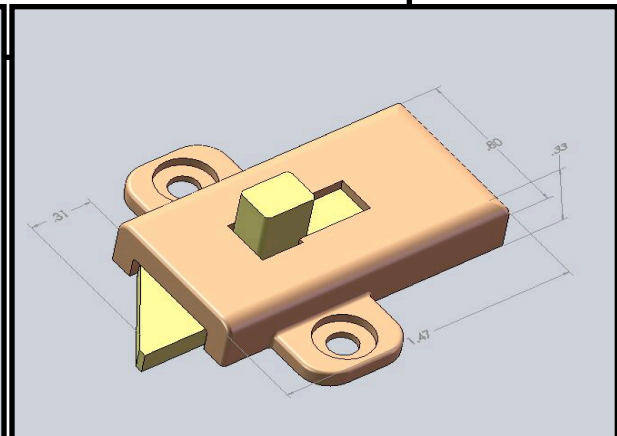
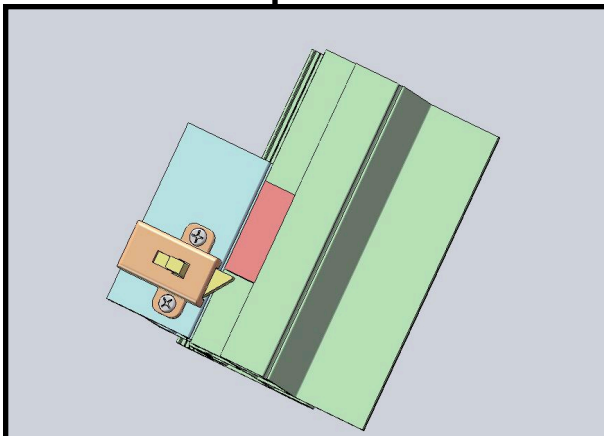
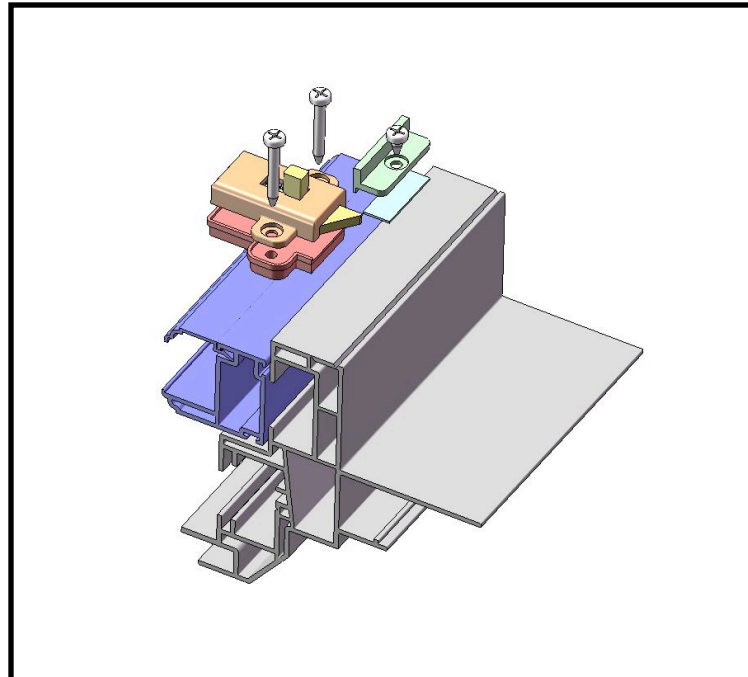


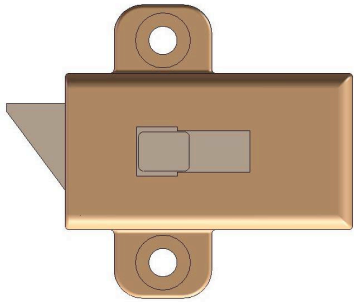
13

WINDOW STOP

- Designed to stop windows at a given distance.
- Dual operation to release latch for further opening. (Window stop on each side of sash).
- Small part with clean finishes.
- Can be applied at job site.
- Sold in prepackaged assembled parts.
- Less than 15 lb to operate.
- Automatically resets when sash is closed.
- Holds against 60 lb opening force.

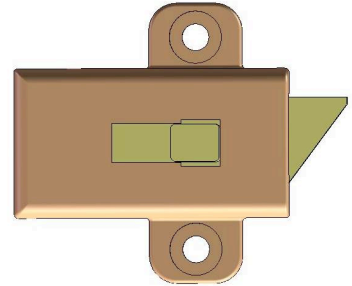


WINDOW STOP / CONTINUES/



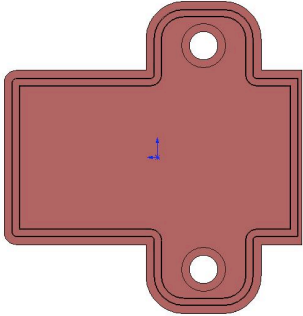
WINDOW STOP LH

PART# WSLH



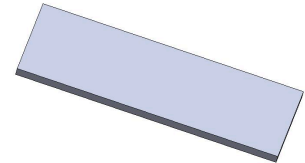
WINDOW STOP RH

PART# WSRH



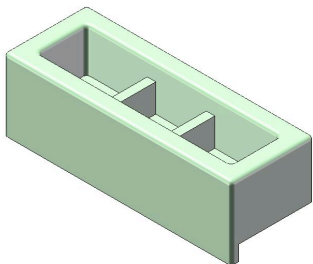
WINDOW STOP SHIM

PART# WSSHIM



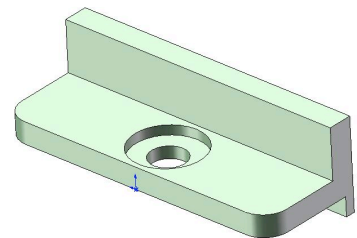
**WINDOW STOP
KEEPER TAPE**

PART# WSTape



**WINDOW STOP
KEEPER**

PART# WSKeeper



**WINDOW STOP
FLAT KEEPER**

PART# WSFlatKeeper

NOTE

All parts are white
Screws #6 Ph